

# IFD8510-A

EN Instruction Sheet

TR Bilgi Dökümanı

TW 安裝說明

CN 安裝說明



5014061402  
2022-05-16



[www.deltaww.com](http://www.deltaww.com)



- EN ✘ This is an OPEN TYPE module and therefore should be installed in an enclosure free of airborne dust, humidity, electric shock and vibration. The enclosure should prevent non-maintenance staff from operating the device (e.g. key or specific tools are required for operating the enclosure) in case danger and damage on the device may occur.
- FR ✘ Ceci est un module ouvert et il doit donc être installé dans un coffret à l'abri des poussières, des vibrations et ne pas être exposé aux chocs électriques. Le boîtier ou l'armoire doit éviter toute action d'un personnel autre que celui affecté à la maintenance de l'appareil (par exemple, clefs, outils spécifiques pour l'ouverture du coffret), ceci afin d'éviter tout accident corporel ou endommagement du produit).
- TR ✘ Bu ürün AÇIK TİP bir modül olup toz, rutubet, elektrik şoku ve titreşimden uzak kapalı yerlerde muhafaza edilmelidir. Yanlış kullanım sonucu ürünün zarar görmesini önlemek için yetkili olmayan kişiler tarafından ürüne müdahale edilmesini önleyecek koruyucu önlemler alınmalıdır. (Ürünün bulunduğu panoya kilit konulması gibi).
- TW ✘ 本機為開放型 (OPEN TYPE) 機種，因此使用者使用本機時，必須將之安裝於具防塵、防潮及免於電擊衝擊意外之外殼配線箱內。另必須具備保護措施 (如：特殊之工具或鑰匙才可打開) 防止非維護人員操作或意外衝擊本體，造成危險及損壞。
- CN ✘ 本机为开放型 (OPEN TYPE) 机种，因此使用者使用本机时，必须将其安装于具防尘、防潮及免于电击/冲击意外的外壳配线箱内。另必须具备保护措施 (如：特殊的工具或钥匙才可打开) 防止非维护人员操作或意外冲击本体，造成危险及损坏。

EN Assembly

TR Montaj

TW 安裝

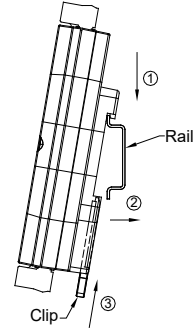
CN 组装

EN Place the device onto the rail in the direction of the arrow 1 shown, and gently push it down in the direction of the arrow 2 shown. After that pull the rail clip up to lock the device onto the rail. To remove the device, pull the rail clip down with a flat screwdriver and gently remove the device from the DIN rail.

TR Aygıtı 1 no'lu ok yönünde gösterildiği gibi raya yerleştirin ve 2 no'lu ok yönünde gösterildiği gibi yavaşça bastırınız. Ardından aygıtı ray üzerine kilitlemek için ray klipsini yukarı itin. Aygıtı çıkarmak için düz bir tornavida ile sabitleme klipsini aşağı çekin ve DIN raydan aygıtı yavaşça çıkartınız.

TW 將機器後方勾槽依 1 號箭頭方向掛上鋁軌並依 2 號箭頭方向往鋁軌壓，將下方鋁軌固定扣扣上，即完成。欲取下機器時，以一字形起子先將鋁軌固定扣撐開，再將機器往外向上的方式取出即可。

CN 將機器後方勾槽依 1 號箭頭方向掛上鋁軌並依 2 號箭頭方向往鋁軌壓，將下方鋁軌固定扣扣上，即完成。欲取下機器時，以一字形起子先將鋁軌固定扣撐開，再將機器往外向上的方式取出即可。

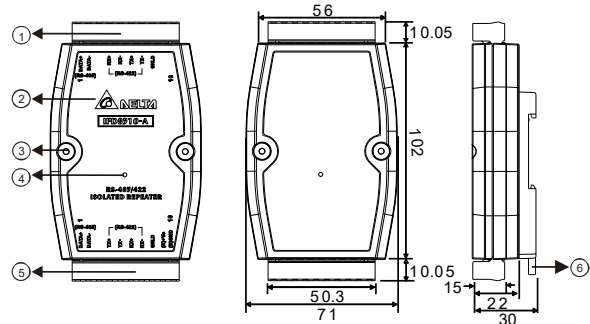


EN Dimensions(mm) & Product Profile

TR Ölçüler(mm) & Ürün Görünüşü

TW 尺寸 (mm) 及產品外觀

CN 尺寸 (mm) 及產品外觀



EN

TR

TW

CN

1 RS-485/RS-422 terminal

RS-485/RS-422 terminali

RS-485/RS-422 端子台

RS-485/RS-422 端子台

2 Model name

Model adı

機種名稱

机种名称

3 M3 special screw

M3 özel vida

M3 特殊螺絲

M3 特殊螺絲

4 LED indicator

LED gösterge

LED 指示燈

LED 指示燈

5 RS-485/RS-422 & Power terminal

RS-485/RS-422 & Güç terminali

RS-485/RS-422 & 電源輸入端子台

RS-485/RS-422 & 电源输入端子台

6 DIN rail clip

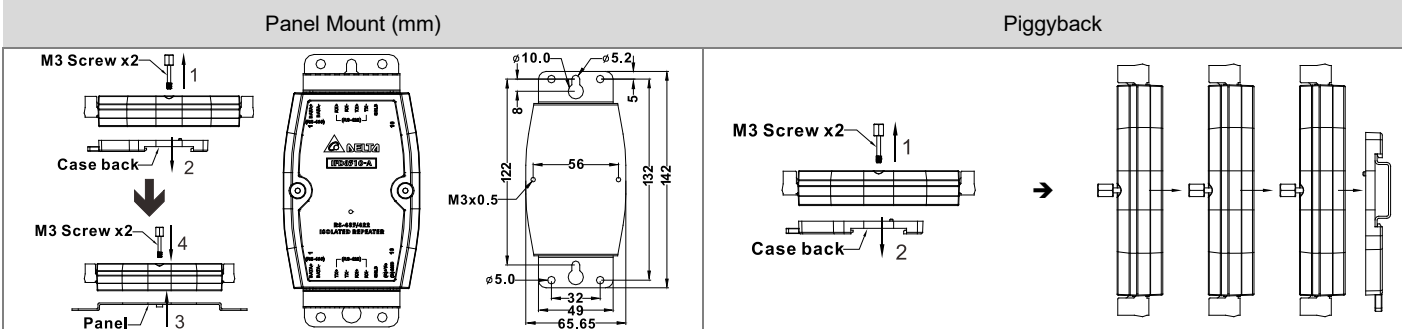
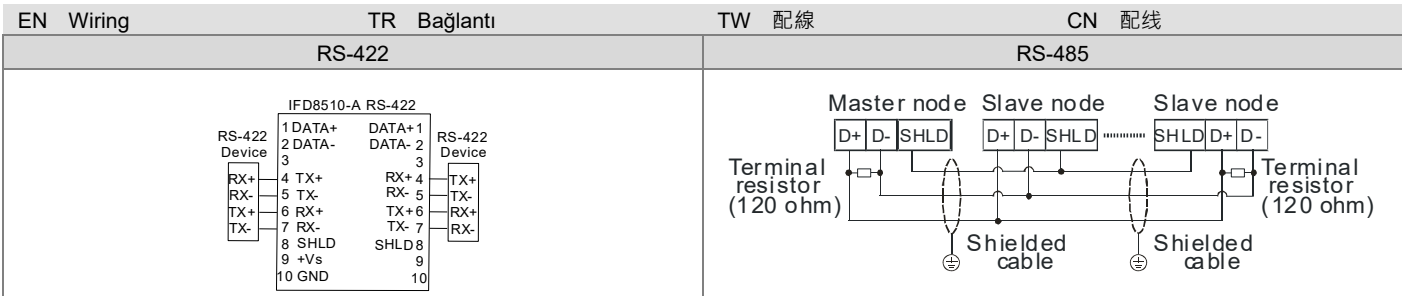
DIN ray klipsi

鋁軌固定扣

铝轨固定扣

EN Specification	TR Spesifikasyonu	TW 產品規格	CN 产品规格
Power supply/Güç Besleme/電源需求/电源需求		+9V ~ +48VDC	
Power consumption/Güç Tüketimi/消耗功率/消耗功率		0.4W	
Operation Tem./Çalışma Sıcaklığı/操作溫度/操作溫度		-20°C ~ 65°C	
Storage Tem./Saklama Sıcaklığı/儲存溫度/儲存溫度		-40°C ~ 70°C	
Isolated Voltage/Izolasyon Voltajı/隔離電壓/隔离电压		5000VAC	
Baud rate/Baud rate/傳輸速度/传输速度		Up to 115200 bps (Auto)	
Propagation delay/Propagasyon Gecikmesi/傳輸延遲/传输延迟		<2.5 us	
Weight/Ağırlık/重量/重量		133g	

EN Pin definition	TR Pin açıklama	TW 接腳定義	CN 接腳定義								
RS-485/RS-422 & Power Input (10-PIN Terminal)		RS-485/RS-422 (10-PIN Terminal)									
Pin 1	RS-485 DATA+	Pin 5	RS-422 TX-	Pin 9	+Vs(Power)	Pin 1	RS-485 DATA+	Pin 5	RS-422 RX-	Pin 9	NC
Pin 2	RS-485 DATA-	Pin 6	RS-422 RX+	Pin 10	GND(Power)	Pin 2	RS-485 DATA-	Pin 6	RS-422 TX+	Pin 10	NC
Pin 3	NC	Pin 7	RS-422 RX-			Pin 3	NC	Pin 7	RS-422 TX-		
Pin 4	RS-422 TX+	Pin 8	SHLD			Pin 4	RS-422 RX+	Pin 8	SHLD		



<b>部件名称</b> <b>Part Name</b>	<b>有害物质-Hazardous Substances</b>						<b>台達電子工業股份有限公司</b> 機電事業群 地址：33068 桃園市桃園區興隆路 18 號 電話：886-3-3626301 傳真：886-3-3716301	<b>Industrial Automation Headquarters</b> <b>Delta Electronics, Inc.</b> Taoyuan Technology Center No.18, Xinglong Rd., Taoyuan District, Taoyuan City, 33068, Taiwan TEL: 886-3-362-6301 / FAX: 886-3-371-6301					
	鉛 (Pb)	汞 (Hg)	鎘 (Cd)	六價鉻 (Cr VI)	多溴聯苯 (PBB)	多溴二苯醚 (PBDE)		<b>中達電通股份有限公司</b> 地址：上海市浦東新區區民路 238 號 郵編：201209 電話：(021) 5863-5678 傳真：(021) 5863-0003					
金屬部件 Metal Part	X	○	○	○	○	○	<b>Delta Greentech (China) Co., Ltd.</b> 238 Min-Xia Road, Pudong District, Shanghai, P.R.C. 201209 TEL: 86-21-5863-5678 / FAX: 86-21-5863-0003						
塑料部件 Plastic Part	○	○	○	○	○	○							
電子件 Electronic	X	○	○	○	○	○							
觸點 Contacts	○	○	X	○	○	○							
線纜和線纜附件 Cable & Cabling accessories	X	○	○	○	○	○							
電池 Battery	○	○	○	○	○	○							

本表格依据 SJ/T 11364 的规定编制。  
 O: 表示该有害物质在该部件所有均质材料中的含量均在 GB/T 26572 规定的限量要求以下。  
 X: 表示该有害物质至少在该部件的某一均质材料中的含量超出 GB/T 26572 规定的限量要求。  
 This table is made according to SJ/T 11364.  
 O: Indicates that the concentration of hazardous substance in all of the homogeneous materials for this part is below the limit as stipulated in GB/T 26572.  
 X: Indicates that concentration of hazardous substance in at least one of the homogeneous materials used for this part is above the limit as stipulated in GB/T 26572.

<b>China:</b> Delta Electronics (Shanghai) Co., Ltd. No.182 Minyu Rd., Pudong Shanghai, P.R.C. Post code: 201209 TEL: +86-21-6872-3988 / FAX: +86-21-6872-3996 Customer Service: 400-920-9595 <b>Japan:</b> Delta Electronics (Japan), Inc. Industrial Automation Sales Department 2-1-14 Shibadaimon, Minato-ku Tokyo, Japan 105-0012 TEL: +81-3-5733-1155 / FAX: +81-3-5733-1255 <b>Korea:</b> Delta Electronics (Korea), Inc. 1511, 219, Gassan Digital 1Ro., Geumcheon-gu, Seoul, 08501 South Korea TEL: +82-2-515-5305 / FAX: +82-2-515-5302 <b>Singapore:</b> Delta Energy Systems (Singapore) Pte Ltd. 4 Kaki Bukit Avenue 1, #05-04, Singapore 417939 TEL: +65-6747-5155 / FAX: +65-6744-9228 <b>India:</b> Delta Electronics (India) Pvt. Ltd. Plot No.43, Sector 35, HSIIIDC Gurgaon, PIN 122001, Haryana, India TEL: +91-124-4874900 / FAX: +91-124-4874945	<b>Thailand:</b> Delta Electronics (Thailand) PCL. 909 Soi 9, Moo 4, Bangpoo Industrial Estate (E.P.Z), Pattana 1 Rd., T.PhraKsa, A.Muang, Samutprakarn 10280, Thailand TEL: +66-2709-2800 / FAX: +66-2709-2827 <b>Australia:</b> Delta Electronics (Australia) Pty Ltd. Unit 20-21/45 Normanby Rd., Notting Hill Vic 3168, Australia TEL: +61-3-9543-3720 <b>Americas</b> <b>USA:</b> Delta Electronics (Americas) Ltd. 5101 Davis Drive, Research Triangle Park, NC 27709, U.S.A. TEL: +1-919-767-3813 / FAX: +1-919-767-3969 <b>Brazil:</b> Delta Electronics Brazil Ltd. Estrada Velha Rio-São Paulo, 5300 Eugênio de Melo - São José dos Campos CEP:12247-004-SP- Brazil TEL: +55-12-3932-2300 / FAX: +55-12-3932-237 <b>Mexico:</b> Delta Electronics International Mexico S.A. de C.V. Gustavo Baz No. 309 Edificio E PB 103 Colonia La Loma, CP 54060 Tlalnepantla, Estado de México TEL: +52-55-3603-9200	<b>EMEA</b> <b>EMEA Headquarters: Delta Electronics (Netherlands) B.V.</b> Sales: Sales.IA.EMEA@deltaww.com Marketing: Marketing.IA.EMEA@deltaww.com Technical Support: iatechnicalsupport@deltaww.com Customer Support: Customer-Support@deltaww.com Service: Service.IA.emea@deltaww.com TEL: +31(0)40 800 3900 <b>EMELUX: Delta Electronics (Netherlands) B.V.</b> Automotive Campus 260, 5708 JZ Helmond, The Netherlands Mail: Sales.IA.Benelux@deltaww.com TEL: +31(0)40 800 3900 <b>DA&amp;H: Delta Electronics (Netherlands) B.V.</b> Coesterweg 45, D-59494 Soest, Germany Mail: Sales.IA.DACH@deltaww.com TEL: +49(0)2921 987 0 <b>France:</b> Delta Electronics (France) S.A. ZI du bois Challand 2, 15 rue des Pyrénées, Lisses, 91090 Evry Cedex, France Mail: Sales.IA.DACH@deltaww.com TEL: +33(0)1 69 77 82 60 <b>UK:</b> Delta Electronics Europe Ltd. 1 Redwood Court, East Kilbride, Glasgow, G74 5PF, United Kingdom TEL:+44-1355-588-888	<b>Iberia: Delta Electronics Solutions (Spain) S.L.U</b> Ctra. De Villaverde a Valdecas, 265 1º Dcha Ed. Hormigueras - P.I. de Valdecas 28031 Madrid TEL: +34(0)91 223 74 20 Carrer Llacuna 166, 08018 Barcelona, Spain Mail: Sales.IA.iberia@deltaww.com <b>Italy: Delta Electronics (Italy) S.r.l.</b> Via Meda 2-22060 Novedrate(CO) Piazza Grazioli 18 00186 Roma Italy Mail: Sales.IA.Italy@deltaww.com TEL: +39 039 8900365 <b>Russia: Delta Energy System LLC</b> Vereyskaya Plaza II, office 112 Vereyskaya str. 17 121357 Moscow Russia Mail: Sales.IA.RU@deltaww.com TEL: +7 495 644 3240 <b>Turkey: Delta Greentech Elektronik San. Ltd. Sti. (Turkey)</b> Serfilai Mah. Hendem Cad. Kule Sok. No:16-A 34775 Ümraniye - İstanbul Mail: Sales.IA.Turkey@deltaww.com TEL: +90 216 499 9910 <b>MEA: Eltek Dubai (Eltek MEA DMCC)</b> OFFICE 2504, 25th Floor, Saba Tower 1, Jumeirah Lakes Towers, Dubai, UAE Mail: Sales.IA.MEA@deltaww.com TEL: +971(0)4 2690148
--	--	---	---

\* We reserve the right to change the information in this instruction sheet without prior notice.